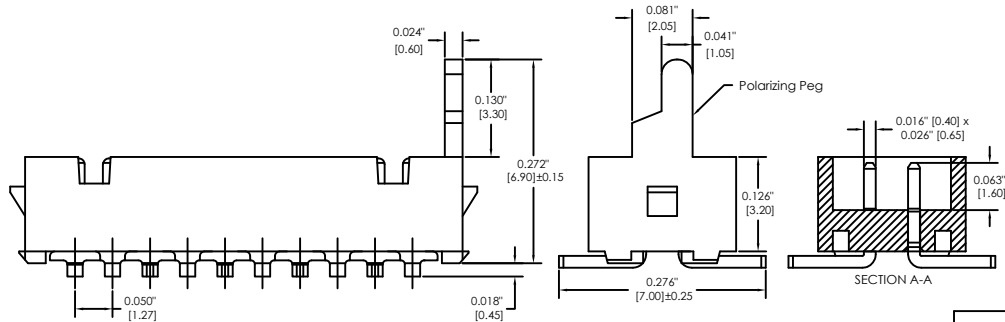
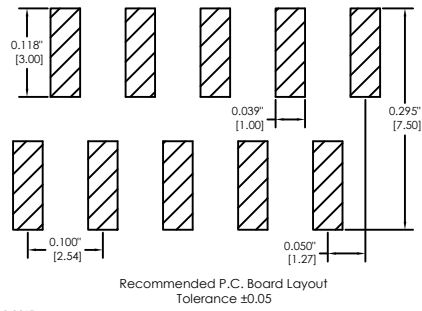
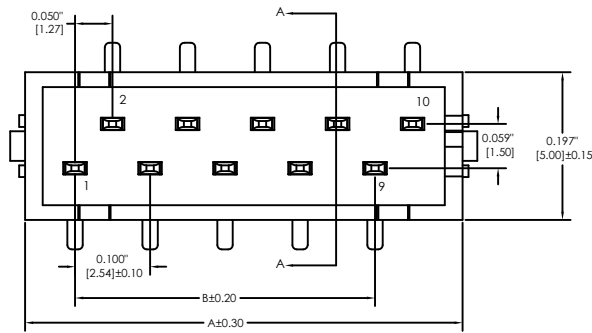


Major League Electronics .050" Staggered cl Male On Board Connector - Surface Mount



Pins Per Row	Dimension		Qt'y / Tube	Qt'y / T&R
	A	B		
2	7.20	2.54	71	500
3	9.74	5.08	54	500
4	12.28	7.62	44	500
5	14.82	10.16	37	500
6	17.36	12.70	31	500
7	19.90	15.24	28	500
8	22.44	17.78	25	500
9	24.98	20.32	22	500
10	27.52	22.86	20	500

Ordering Information

MICRO - 06 - - - - LF

Pins Per Row _____ Lead Free
02, 03, 04, 05, 06, 07, 08, 09, 10

Specification

Electrical:

Rated Current: 1.0AMP
Contact Resistance: 20mΩ max
Withstand Voltage: 500V AC/DC
Insulation Resistance: 1000MΩ min
Operation Temperature: -40°C to +105°C

Material:

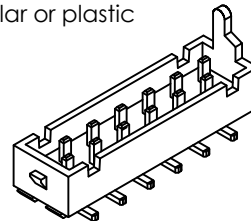
Contact Material: Phosphor Bronze
Contact Plating: Sn Over Ni
Insulator Material: High Temperature Plastic PA46 (UL94V-0), Red

Termination:

PCB

Packing Information

TB-P = Tube with Pick and Place Pad
TR-P = Tape and Reel with Pick and Place Pad
If left blank, packaging at MLE's discretion
Pad may be metal, mylar or plastic



Mates with:
MICRO-01 (Board To Board),
MICRO-02 (Board To Board),
MICRO-03 (Board To Board)

Products cut to specific sizes are uncancellable/nonreturnable

Parts are subject to change without notice

MICRO-06 SERIES

.050" Staggered cl Male On Board Connector
Surface Mount Straight With Polarizing Peg

26 AUG 10

Scale
NTS

UNLESS OTHERWISE SPECIFIED
DIMENSIONS IN INCHES [MM]
TOLERANCES ARE:

ONE PLACE DECIMALS ±.100
TWO PLACE DECIMALS ±.010
THREE PLACE DECIMALS ±.005
FOUR PLACE DECIMALS ±.0020
ANGLES
±.5°



4235 Earnings Way, New Albany, Indiana, 47150, USA
1-800-782-3486 (USA/Canada/Mexico)

Tel: 812-944-7244
Fax: 812-944-7268

E-mail: mle@mlelectronics.com
Web: www.mlelectronics.com

Revision
B

Sheet
1/2

Revisions

Revision B - (12th May 2011)

Amendment to part number for entire series,
Total Pins has been changed to Pins Per Row.

Therefore MICRO-XX-04 is now MICRO-XX-02
(4 total pins now equals 2 pins per row in part number).

Was:

Total Pins
04, 06, 08, 10, 12, 14, 16, 18, 20

Now:

Pins Per Row
02, 03, 04, 05, 06, 07, 08, 09, 10

Products cut to specific sizes are uncancelable/nonreturnable Parts are subject to change without notice

MICRO-06 SERIES

.050" Staggered cl Male On Board Connector
Surface Mount Straight With Polarizing Peg

26 AUG 10

Scale
NTS

UNLESS OTHERWISE SPECIFIED
DIMENSIONS IN INCHES [MM]
TOLERANCES ARE:

ONE PLACE DECIMALS ±.100
TWO PLACE DECIMALS ±.010
THREE PLACE DECIMALS ±.005
FOUR PLACE DECIMALS ±.0020
ANGLES
±.5°



4235 Earnings Way, New Albany, Indiana, 47150, USA
1-800-782-3486 (USA/Canada/Mexico)

Tel: 812-944-7244
Fax: 812-944-7268
E-mail: mle@mlelectronics.com
Web: www.mlelectronics.com

Revision
B

Sheet
2/2